

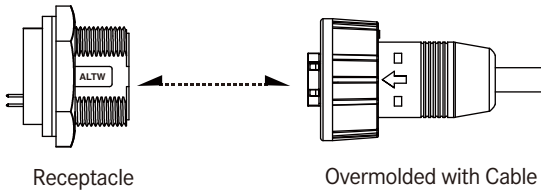
CATALOGUE

IEEE 1394 Connector

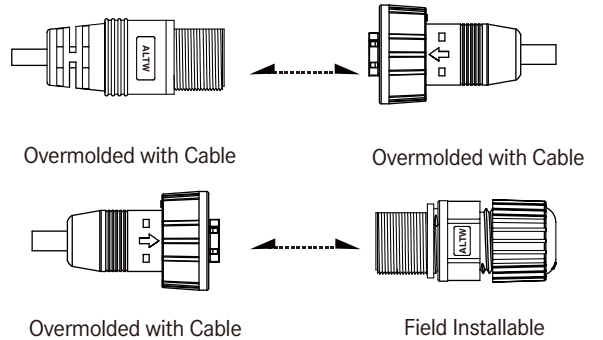


Range Overview

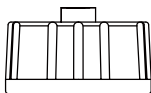
Receptacle to Overmolded with Cable



In Line



Accessories



Waterproof Cap
See page 21-16

Specification

Identifications	IEEE 1394
Description	Receptacle Overmolded with Cable Field Installable
Current Rating / Data	Receptacle: 1A Overmolded with Cable: 0.5A
Material	Contacts: Copper Alloy, Gold Plated Connector Body (Housing) : PBT UL94V-0
Waterproof Rating	IP67~68
Temperature Range	Receptacle: -20 °C~80 °C Overmolded with Cable: -20 °C~80 °C Field Installable: -20 °C~80 °C
Contact Resistance	≤ 50mΩ Max
Insulation Resistance	Receptacle: ≥ 100MΩ at DC 100V Overmolded with Cable: ≥ 1000MΩ at DC 100V
Durability	500 cycles
Breakdown Voltage	Receptacle: ≥ AC 500V / 1 minute Overmolded with Cable: ≥ AC 100V / 1 minute
More to know	Standard Cable Length: 01~04M

【Note】 Design and specification are subject to change without notice.

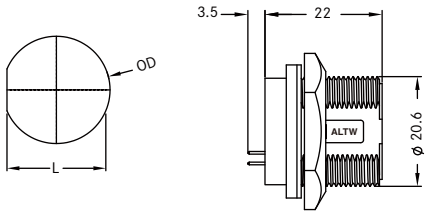
Ordering Information

	1	2	3	4	5	6	7	8	9	10
Specification										
(13) 1394 Connector										
Type										
(AA) 1394A										
Connector Body (Style)										
<u>> For Receptacle</u>										
(P) Front Fastened										
<u>> For Field installable</u>										
(B) Without Strain Relief										
<u>> For Overmolded with Cable</u>										
(A) With Strain Relief										
(B) Without Strain Relief										
Connector (Housing) Gender										
(M) Male Connector										
(F) Female Connector										
Contact Gender										
(M) Male (Plug)										
(F) Female (Jack)										
Assemble Style										
<u>> For Receptacle</u>										
(P) 180° PCB Type										
<u>> For Overmolded with Cable</u>										
(M) Overmolded with Cable										
<u>> For Field Installable</u>										
(A) Field installable (Solder)										
Mating Style										
(S) Screw Thread										
Backshell										
<u>> For Receptacle</u>										
(C) Circular										
<u>> For Field Installable</u>										
(L) Straight										
<u>> For Overmolded with Cable</u>										
(L) Straight										
Waterproof Rating										
(7) IP 67										
(8) IP 68										
More Information										
<u>> For Receptacle</u>										
(001) Without Cable										
(002) With Cable (Harness (50mm))										
<u>> For Overmolded with Cable</u>										
(□)+(■) : Cable Type + Cable Length										
EX. (A01) = 1394A Cable + 1M										
<u>(□) : Cable Type</u>										
(A) 1394A Cable										
<u>(■) : Cable Length</u>										
From 1M to 4M										
EX. (01) = 1M										

Physical Dimension

Receptacle

Panel Cut-Out Connector Dimension



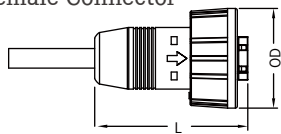
Type \ Dimension	L	OD
Connector Gender	Male	
IEEE 1394	19.4	20.8

* Maximum Panel Thickness: 4mm

Unit: mm

Overmolded with Cable

Female Connector

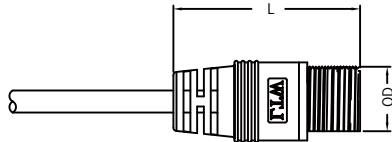


Without Strain Relief

Type \ Dimension	L		OD	
Connector Gender	Female	Male	Female	Male
IEEE 1394	39.0	55.0	25.4	20.6

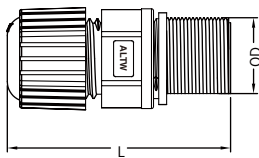
Unit: mm

Male Connector



With Strain Relief

Field Installable

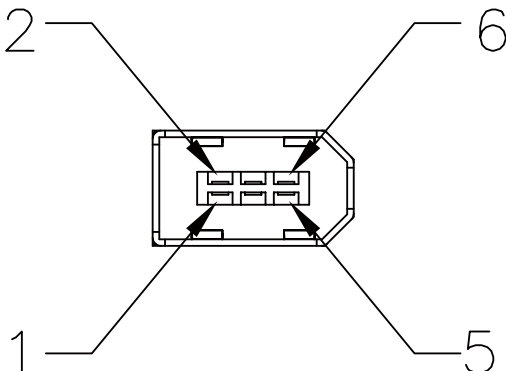


without Strain Relief / Straight

Type \ Dimension	L		OD	
Connector Gender	Female	Male	Female	Male
IEEE 1394	-	56.5	-	20.6

Unit: mm

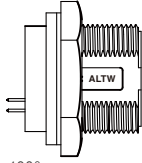
Contact Configuration



【Note】 Design and specification are subject to change without notice.

Product Features

Receptacle



* PCB Pin 180°

Backshell 8



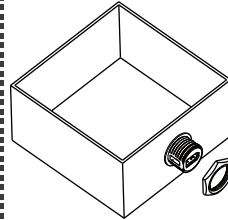
Circular (C)

Mating Style 7



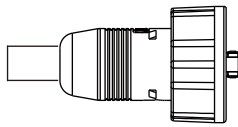
Screw Thread (S)

Connector Body(Style) 3

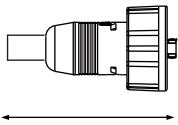


Front Fastened (P)

Overmolded with Cable



Backshell 8



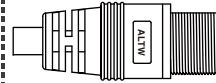
Straight (L)

Mating Style 7

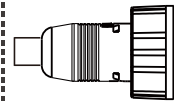


Screw Thread (S)

Connector Body(Style) 3

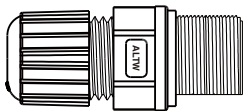


With Strain Relief (A)

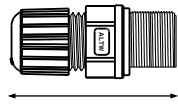


Without Strain Relief (B)

Field Installable



Backshell 8



Straight (L)

Mating Style 7



Screw Thread (S)

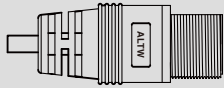
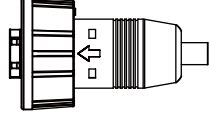
Connector Body(Style) 3



Without Strain Relief (B)

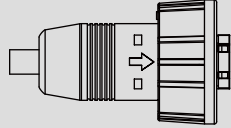
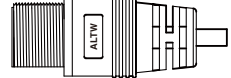
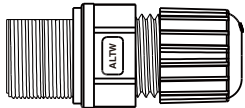
Find Our Standard Products

↘ In-line

<ul style="list-style-type: none"> • Male Connector (Housing) • Female Contacts • Screw Thread 	Overmolded with Cable	Overmolded with Cable	Field Installable
			
Code	Male Connector (M) Female Contacts (F)	Female Connector (F) Male Contacts (M)	Female Connector (F) Male Contacts (M)
IEEE 1394 A Type (13)	13-AAAMFM-SL7A XX *	13-AABFMM-SL7A XX *	-

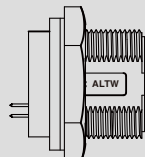
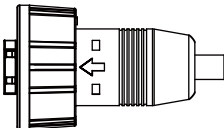
* ~~XX~~: Choose the cable length from 01~04m

↘ In-line

<ul style="list-style-type: none"> • Female Connector (Housing) • Male Contacts • Screw Thread 	Overmolded with Cable	Overmolded with Cable	Field Installable
			
Code	Female Connector (F) Male Contacts (M)	Male Connector (M) Female Contacts (F)	Male Connector (M) Female Contacts (F)
IEEE 1394 A Type (13)	13-AABFMM-SL7A XX *	13-AAAMFM-SL7A XX *	13-AABMFA-SL8001

* ~~XX~~: Choose the cable length from 01~04m

↘ Receptacle and Mating Pair

<ul style="list-style-type: none"> • Male Connector (Housing) • Female Contacts • Screw Thread 	Receptacle	Overmolded with Cable	Field Installable
			
Code	Male Connector (M) Female Contacts (F)	Female Connector (F) Male Contacts (M)	Female Connector (F) Male Contacts (M)
IEEE 1394 A Type (13)	13-AAPMFP-SC8001	13-AABFMM-SL7A XX *	-

* ~~XX~~: Choose the cable length from 01~04m

[Note] Design and specification are subject to change without notice.

Amphenol LTW Technology Co., Ltd. (Headquarter)

9F., No.657-12, Zhongzheng Rd., Xinzhuang Dist., New Taipei City 242, Taiwan
Telephone: +886-2-29085626 Fax: +886-2-29029787
www.amphenolltw.com

Shulin plant, Taiwan

No.10, Shutan St., Shulin Dist., New Taipei City 238, Taiwan

Kunshan plant, China

No. 62 Da Tung Road, Peng Lang Street, Kunshan City , Jiangsu Province, China
Telephone: +86-512-5761-0501
Fax: : +86-512-5761-0515

For further information, please contact :

Sales & Marketing Department | Email : sales@ltw-tech.com



Scan to visit our website