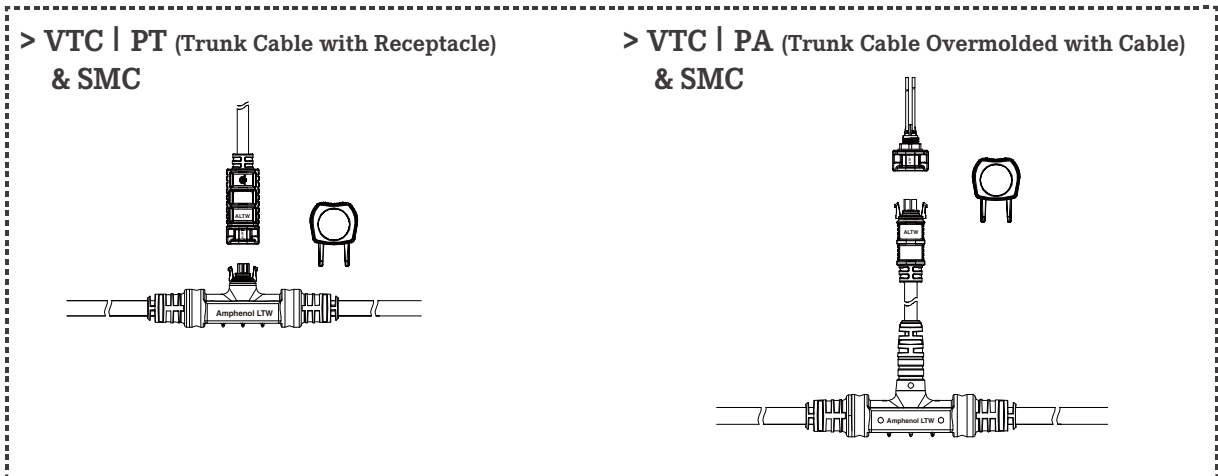
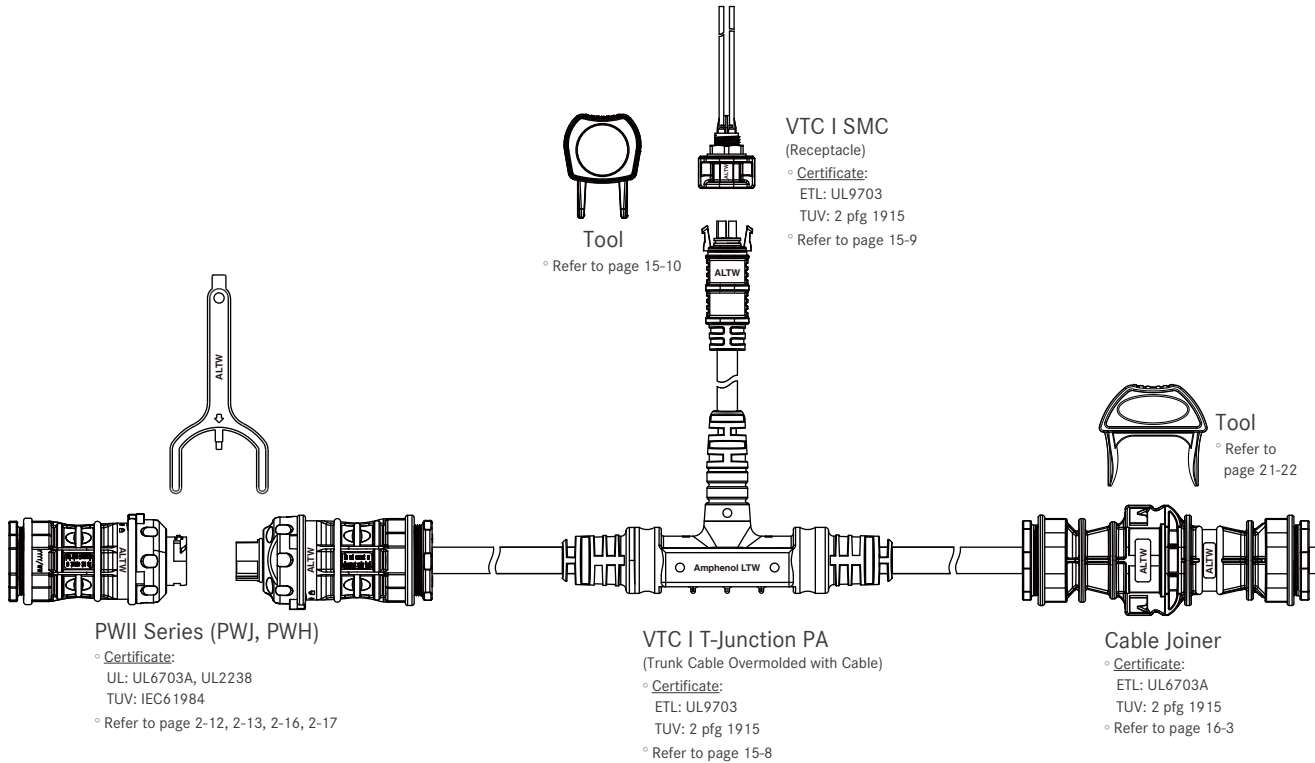




CATALOGUE

PV AC Connectors / T-Junction Connector

Range Overview



VTC | SMC

(Overmolded with Cable)

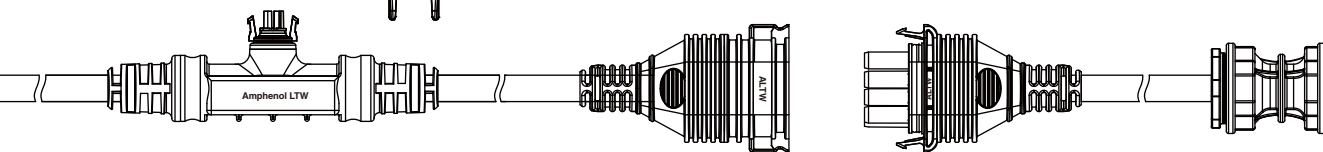
- Certificate: ETL: UL6703A
TUV: 2 pfg 1915
- Refer to page 15-9



Tool
◦ Refer to page 15-10



Tool
◦ Refer to page 15-13



VTC | T-Junction PT
(Trunk Cable with Receptacle)

- Certificate: ETL: UL6703A
TUV: 2 pfg 1915
- Refer to page 15-8

BMC

- Certificate: ETL: UL6703A
TUV: 2 pfg 1915
- Refer to page 15-13

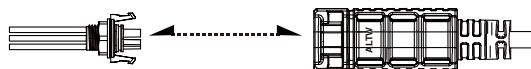
End Cap

- Certificate: ETL: UL6703A
TUV: 2 pfg 1915
- Refer to page 15-10

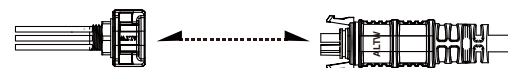
> SMC | In Line



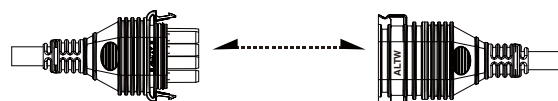
> SMC | Receptacle to Overmolded with Cable



> SMC | Receptacle to Receptacle



> BMC | In Line



[Note] Design and specification are subject to change without notice.

Specification

Identifications	VTC I T Junction: PT & PA (For Trunk Cable) VTC I SMC (For Drop or Receptacle) BMC
Description	Cabling System for Micro-inverter
Current Rating / Data	VTC I T Junction: Trunk Range: UL15A~30A / TUV 17-25A / 3~4Pin VTC I SMC: 5A / 3~4Pin BMC: UL17A / TUV 19A / 3~4Pin
Material	Contacts: Copper Alloy Connector Body: m-PPE
Waterproof Rating	IP67
Temperature Range	Ambient: -40°C ~ +85°C Upper Limited Temperature:+105°C
Contact Resistance	≤ 10mΩ
Insulation Resistance	≥ 100mΩ at DC500V
Durability	500 cycles
Breakdown Voltage	≥ DC6000V / 1 minute
Certificate	VTC I T-Junction: ETL: UL9703, TUV: 2 pfg 1915 VTC I SMC: ETL: UL6703A, TUV: 2 pfg 1915 BMC: ETL: UL6703A, TUV: 2 pfg 1915
Voltage Rating	AC 300V
More to know	Salt Spray Corrosion test: 48H Cable for Trunk: 14~ 10AWG or 2.5mm ² ~4mm ² Cable for Drop: 18AWG or 0.75mm ² Trunk Cable Pitch: Upon request

Ordering Information | VTC | T-Junction

1 — 2 3 4 5 — 6

Specification

>PT Type

(PT) Trunk Cable with Receptacle

>PA Type

(PA) Trunk Cable Overmolded with Cable

Number of Contacts

(3) 3 Contacts

(4) 4 Contacts

Cable Style

>UL : TCER Cable Style

>TUV : EU Cable Style

(10) 10#

(4A) 4mm² 1940 Cable

(12) 12#

(4B) 4mm² HAR Cable

(14) 14#

(2A) 2.5mm² 1940Cable

Cable pitch

(105) 1.05m pitch

(170) 1.7m pitch

(205) 2.05m pitch

* More options available

> For Trunk Cable with Receptacle (PT)

(00) SMC connector

* More options available (Upon request)

> For Trunk Cable Overmolded with Cable (PA)

(□)+(■): (Drop Cable Length) + (Cable type with or without connector)

EX. (07B) = 0.7m length + 18# without Connector

(□) : Drop Cable Length

(07) 0.7m length

(10) 1.0m length

(15) 1.5m length * More options available

(■) : Cable type with or without connector

>UL : TCER Cable Style

(A) 18# With SMC connector

(B) 18# Without Connector (Open ended)

(C) 16# Without Connector (Open ended)

(D) 14# Without Connector (Open ended)

>TUV : EU Cable Style

(E) 0.75mm² HAR Cable With SMC

(F) 0.75mm² HAR Cable Without SMC

(G) 1.0mm² HAR Cable Without SMC

(H) 0.75mm² 1940 Cable With SMC

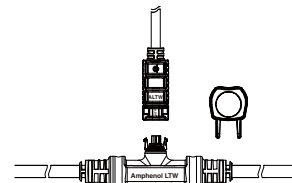
(I) 0.75mm² 1940 Cable Without SMC

(J) 1.0mm² 1940 Cable Without SMC

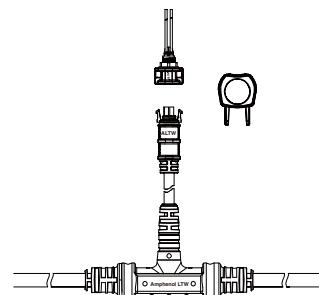
Number of T-Junctions

008, 011, 017, ..., 999 EX. (008) = 8 T-Junctions

> VTC | PT (Trunk Cable with Receptacle) & SMC



> VTC | PA (Trunk Cable Overmolded with Cable) & SMC



[Note] Design and specification are subject to change without notice.

Ordering Information | VTC | SMC

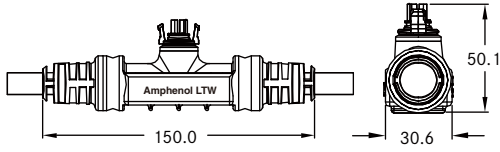


Specification	
(SPS) Solar Power AC (Small size)	
Number of Contacts	
(03) 3 Contacts	(04) 4 Contacts
Connector Body (Style)	
> Receptacle	> Overmolded with Cable
(R) ALTW Rear Fastened	(A) With Strain Relief
Connector Housing Gender	
(M) Male (Plug)	(F) Female (Socket)
Contact Gender	
(M) Male	(F) Female
Assemble Style	
> Receptacle	> Overmolded with Cable
(C) Crimp Type (With Wire)	(M) Overmolded with Cable
Mating Style	
(L) 2 Points Lock (Push & Pull) (With Unlocking Tool)	
Backshell	
> Receptacle	> Overmolded with Cable
(C) Circular	(L) Straight
Waterproof Rating	
(7) IP 67	

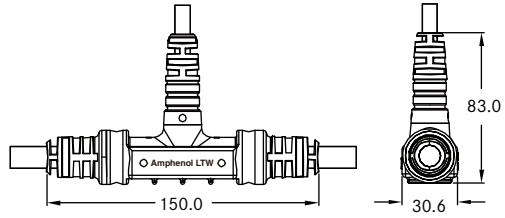
More Information	
> For Receptacle	> For Overmolded with Cable
001, 002, 003.....	(□)+(■) : Cable Type + Cable Length
001 is US Spec, 002 is EU Spec	EX. (T01) = US Cable For TCER 18# Cable + 1M
	(□) : Cable Type
	(■) : Cable Length
	(T) US Cable For TCER 18# Cable From 1M to 99M
	(D) EU Cable For HAR 0.75mm ² Cable EX. (01) = 1M
	(E) EU Cable For 1940 0.75mm ² Cable

Physical Dimension

∟ VTC | PT



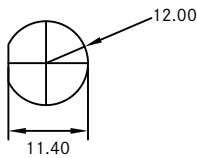
∟ VTC | PA



Unit: mm

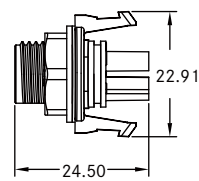
∟ SMC | Receptacle

Panel Cut-Out

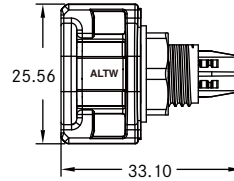


Connector Dimension

(A) Male



(B) Female

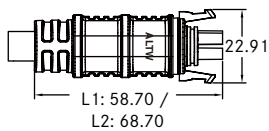


* Maximum Panel Thickness: 4.0mm

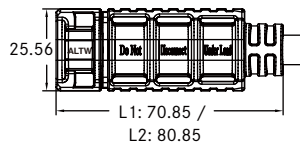
Unit: mm

∟ SMC | Overmolded with Cable

(A) Male



(B) Female



Unit: mm



【Note】 Design and specification are subject to change without notice.

Contact Configuration

∟ VTC I T-Junction

	VTC (Output)			
	3Pin		4Pin	
	US	EU	US	EU
10#	●		●	
12#	●		●	
14#	●		●	
4.0mm		●		
2.5mm		●		

∟ VTC I SMC

	SPS (Input)	
	5A	
	MM or FF	MF or FM
3 Contacts		
		R C
4 Contacts		
		R C

R: receptacle
C: overmolded with cable

● 5A

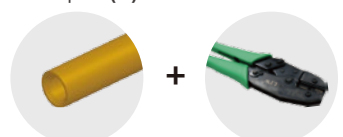
Number of Contacts : 2
Ex.3 contacts (03)

Connector (Housing) Gender: 4
Male(M) or Female(F)

Contact Gender: 5
Male(M) or Female(F)


More to Choose: 6

- Crimped (C)



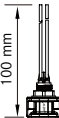
Find Our Standard Products

∟ VTC (PT) and SMC (Overmolded with Cable)

	SMC : Overmolded with cable				
		Cable type 10	AMP (Code)	Contacts 2	Female Connector (F) Male Contacts (M)
	US (UL TC-ER cable)	TCER 18# cable (T)	5A(SPS)	03,04	SPS- 2 AFMM-LL7T*
	EU (TUV 2pfg1940 cable)	HAR 0.75 mm ² cable (D) 1940 0.75 mm ² cable (E)		03	SPS-03AFMM-LL7 10 *
(PT) Trunk Cable with Receptacle					
	Wire Size 3	Contacts 2	T-Junction Pitch 4	Number of T-Junction 6	P/N
US (UL TCER cable)	10# (30A) (10) 12# (20A) (12) 14# (15A) (14)	03,04	1.05M (105) 1.7M (170) 2.05M (205)	001 . 075	PT- 2 3 4 -00- 6
EU (TUV 2pfg1940 cable)	4mm ² (4A/4B) (25A) 2.5mm ² (2A) (17A)	03			PT-3- 3 4 -00- 6


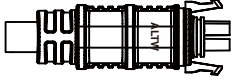

*Refer to page 15-5 for ordering

∟ VTC (PA) and SMC (Receptacle)

	SMC : Receptacle						
		AMP (Code)	Contacts 2	Female Connector (F) Male Contacts (M)			
	US (UL TC-ER Cable)	5A (SPS)	03,04	SPS- 2 RFMC-LC7001			
	EU (TUV 2pfg1940 Cable)		03	SPS- 2 RFMC-LC7002			
(PA) Trunk Cable Overmolded With Cable							
	Wire Size 3	Contacts 2	T-Junction Pitch 4	Number of T-Junction 6	Drop Cable Length + Cable type 5	P/N	
US (UL TCER cable)	10# (30A) (10) 12# (20A) (12) 14# (15A) (14)	03,04	1.05M (105) 1.7M (170) 2.05M (205)	001 . 075	0.7M (07) 1.0M (10) 1.5M (15)	18#with SMC Conn 18#without Conn. 16#without Conn. 14#without Conn.	PA- 2 3 4 5 6
EU (TUV 2pfg1940 Cable)	4mm ² (4A/4B) (25A) 2.5mm ² (2A) (17A)	03				0.75mm ² with SMC Conn. 0.75mm ² without Con 1.0mm ² without Con	PA-3 3 4 5 6


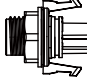

[Note] Design and specification are subject to change without notice.

∟ SMC > In-line

<ul style="list-style-type: none"> • Male Connector (Housing) • Female Contacts • Safety Lock (Unlock tool needed)  Unlock tool ULT-SSMC-01			Overmolded with Cable -----> 	Overmolded with Cable 
	Contacts 2	Cable type 10	Male Connector (M) Female Contacts (F)	Female Connector (F) Male Contacts (M)
5A(SPS)	03,04	(T) TCEK 18# Cable (US)	SPS- 2 AMFM-LL7TXX*	SPS- 2 AFMM-LL7TXX*
	03	(D) HAR 0.75mm ² Cable (EU)	SPS-03AMFM-LL7 10 XX*	SPS-03AFMM-LL7 10 XX*
(E) 1940 0.75mm ² Cable (EU)				


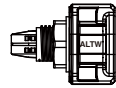

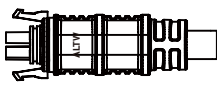

*XX: Choose the cable length from 01~99m

∟ SMC > Receptacle and Mating Pair

<ul style="list-style-type: none"> • Male Connector (Housing) • Female Contacts • Safety Lock (Unlock tool needed)  Unlock tool ULT-SSMC-01			Receptacle -----> 	Overmolded with Cable 
AMP (Code)	Contacts 2	Cable type 10	Male Connector (M) Female Contacts (F)	Female Connector (F) Male Contacts (M)
5A(SPS)	03,04	(T) TCER 18# Wire (US)	SPS- 2 RMFC-LC7001	SPS- 2 AFMM-LL7TXX*
	03	(D) HAR 0.75mm ² Wire (EU)	SPS-03RMFC-LC7002	SPS-03AFMM-LL7 10 XX*
(E) 940 0.75mm ² Wire (EU)				


*XX: Choose the cable length from 01~99m

∨ SMC > Receptacle and Mating Pair

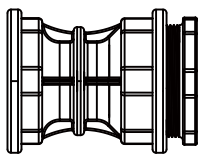
<ul style="list-style-type: none"> • Female Connector (Housing) • Male Contacts • Safety Lock (Unlock tool needed)  Unlock tool ULT-SSMC-01			Receptacle  	Overmolded with Cable  
AMP (Code)	Contacts 2	Cable type 10	Female Connector (F) Male Contacts (M)	Male Connector (M) Female Contacts (F)
5A(SPS)	03,04	(T) TCER 18# Wire (US)	SPS- 2 RFMC-LC7001	SPS- 2 AMFM-LL7TXX*
	03	(D) HAR 0.75mm ² Wire (EU)	SPS-03RFMC-LC7002	SPS-03AMFM-LL7 10 XX*
		(E) 1940 0.75mm ² Wire (EU)		

*XX: Choose the cable length from 01~99m

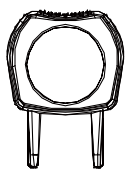
∨ Accessories > Waterproof Cap

 <p>Mating Pair (Gender): Male Connector Mating Pair (Gender): Female Connector</p>				
Size	Mating Pair	Mating Pair (Gender)	Mating Style	Part Number
SMC	Receptacle and Overmolded with Cable	Male Connector	2 point lock bayonet	CAP-WSMMFLA 1
	Receptacle and Overmolded with Cable	Female Connector	2 point lock bayonet	CAP-WSMMLA 1

∨ Accessories > End-Cap

	
Cable OD.	Part Number
16~12mm / 0.62~0.47 inch	CAP-WTCASMA 1
12~10mm / 0.47~0.39 inch	CAP-WTCASMA 2
10~08mm 0.39~0.31 inch	CAP-WTCASMA 3

∨ Accessories > Tool

	
Size	Part Number
SMC	ULT-SSMC-01

【Note】 Design and specification are subject to change without notice.

Ordering Information | BMC

1 — 2 3 4 5 6 — 7 8 9 10

Specification

(SPB) Solar Power For Big MC

(17A: UL US Market ; 19A: TUV EU Market ; 20A: Upon request)

Number of Contacts

(3) 3 Contacts

(4) 4 Contacts

Connector Body (Style)

> Overmolded with Cable

(A) With Strain Relief

Connector Housing Gender

(M) Male (Plug)

(F) Female (Socket)

Contact Gender

(M) Male

(F) Female

Assemble Style

> Overmolded with Cable

(M) Overmolded with Cable

Mating Style

(L) 2 Points Lock (Push & Pull)

(With Unlocking Tool)

Backshell

> Overmolded with Cable

(L) Straight

Waterproof Rating

(7) IP 67

More Information

> For Overmolded with Cable

+ : Cable Type + Cable Length

EX. (C01) = EU Cable For HAR 4mm² Cable + 1M

: Cable Type

: Cable Length

(R) UL Cable For TCER 12# Cable

From 1M to 99M

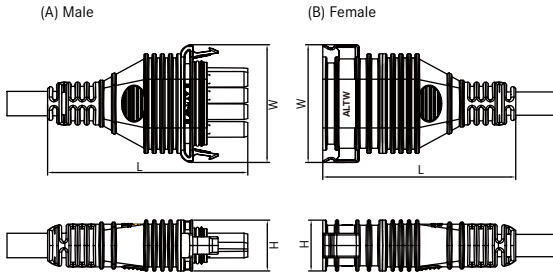
(C) EU Cable For HAR 4mm² Cable

EX. (01) = 1M

(L) EU Cable For 1940 4mm² Cable

Physical Dimension

┘ BMC | Overolded with Cable



Connector Gender	L		W		H	
	(B)	(A)	(B)	(A)	(B)	(A)
17A (SPB)	94.95	98.5	58.0	58.0	25.0	25.0
19A (SPB)	94.95	98.5	58.0	58.0	25.0	25.0

【Note】 17A: Comply to UL standard for USA
 19A: Comply to TUV standard for Europe
 20A: Upon request

Unit: mm

Contact Configuration

┘ BMC

	SPB (Output)			
	17A		19A	
	MM or FF	MM or FF	MM or FF	MM or FF
3 Contacts				
	C			C
4 Contacts				
	C			

【Note】 17A: Comply to UL standard for USA
 19A: Comply to TUV standard for Europe
 20A: Upon request

Number of Contacts : 2
 Ex.3 contacts (03)

Connector (Housing) Gender: 4
 Male(M) or Female(F)
 • For BMC & SMC


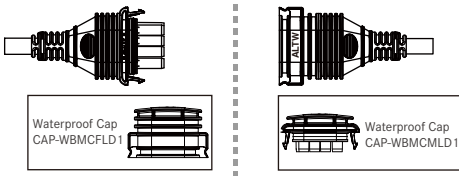
Contact Gender: 5
 Male(M) or Female(F)
 • For BMC & SMC

More to Choose: 6
 • Crimped (C)

【Note】 Design and specification are subject to change without notice.


Find Our Standard Products

↳ BMC > Receptacle and Mating Pair

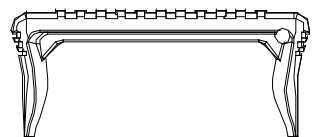
<ul style="list-style-type: none"> • Male Connector (Housing) • Female Contacts • Safety Lock (Unlock tool needed)  <p>Unlock tool ULT-SBMC01</p>			<p>Receptacle → Overmolded with Cable</p> 	
AMP (Code)	Contacts 2	Cable type 10	Male Connector (M) Female Contacts (F)	Female Connector (F) Male Contacts (M)
17A(SPB)	03,04	R-TCER 12# cable (US)	SPB- 2 AMFM-LL7R XX *	SPB- 2 AFMM-LL7R XX *
19A(SPB)	03	C-HAR 4.0 mm ² cable (EU)	SPB-03AMFM-LL7 10 XX *	SPB-03AFMM-LL7 10 XX *
		L-1940 4.0 mm ² cable (EU)		

*XX: Choose the cable length from 01~99m

↳ Accessories > Waterproof Cap

				
<p>Mating Pair (Gender): Male Connector</p> <p>Mating Pair (Gender): Female Connector</p>				
Size	Mating Pair	Mating Pair (Gender)	Mating Style	Part Number
BMC	Receptacle and Overmolded with Cable	Male Connector	2 point lock bayonet	CAP-WBMCFLD1
	Receptacle and Overmolded with Cable	Female Connector	2 point lock bayonet	CAP-WBMCMLD1

↳ Accessories > Tool

	
Size	Part Number
BMC	ULT-SBMC01

【Note】 Design and specification are subject to change without notice.

Amphenol LTW Technology Co., Ltd. (Headquarter)

9F., No.657-12, Zhongzheng Rd., Xinzhuang Dist., New Taipei City 242, Taiwan

Telephone: +886-2-29085626 Fax: +886-2-29029787
www.amphenolltw.com

Shulin plant, Taiwan

No.10, Shutan St., Shulin Dist., New Taipei City 238, Taiwan

Kunshan plant, China

No. 62 Da Tung Road, Peng Lang Street, Kunshan City , Jiangsu Province, China

Telephone: +86-512-5761-0501
Fax: : +86-512-5761-0515

For further information, please contact :

Sales & Marketing Department | Email : sales@ltw-tech.com



Scan to visit our website