



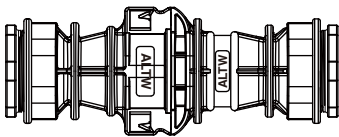
CATALOGUE

Cable Joiner Connector



Range Overview

∟ Field Installable



° Certificate:
ETL: UL6703A
TUV: 2 pfg 1915

M32



M20

Specification

Identifications (Cable OD) 6~10 mm, 8~10mm, 10~12mm, 12~16mm

Material M20: Nylon
M32: PPE

Waterproof Rating IP67

Temperature Range Field Installable: PPE: -40°C~105°C
Nylon: -40°C~105°C

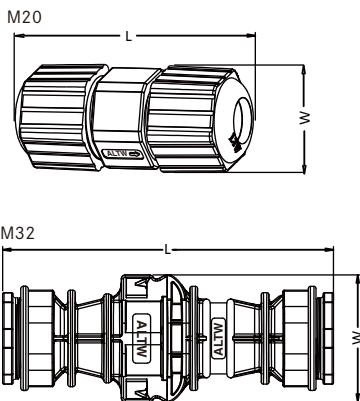
Ordering Information

	1	2	3	4	5	6	7
Specification							
(CX) Cable Joiner							
No. of Conductor							
(00) None							(04) 4 Conductors
Connector Body (Style)							
(B) For Cable without Strain Relief							
AWG (Terminal)							
(B) 14~16AWG							(C) 10~12AWG
(O) No Terminal							
Size							
(M20) M20							
(M32) M32							
Waterproof Rating							
(7) IP 67							
Jacket OD							
(001) 12mm~16mm							
(002) 10mm~12mm							
(003) 8mm~16mm							

Physical Dimension

▾ Cable Joiner

Connector Dimension



Size \ Dimension	L	W	Cable OD	AWG (Terminal)
M20	56.0	25.4	6~10	-
M32	130.2	50.0	12~16	-
	130.2	50.0	10~12	-
	130.2	50.0	8~10	-
	130.2	50.0	8~10	14~16
	130.2	50.0	12~16	10~12
	130.2	50.0	10~12	10~12

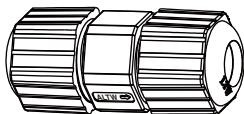
Unit: 00

[Note] Design and specification are subject to change without notice.

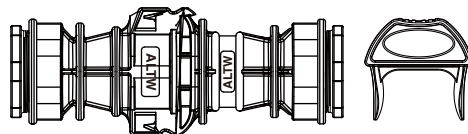
Find Our Standard Products

▾ Cable Joiner

M20



M32



- UV Resistant
- Unlock with tool
- Butt splice terminals optional
- ETL: UL6703A
- TUV: 2 pfg 1915

Size	AWG (Terminal)	Part Number
M20	Without Terminal (0)	CX-00B0M20-700 1
M32	14~16 (B)	CX-04BBM32-700 1
	10~12 (C)	CX-04BCM32-700XX*
	Without Terminal (0)	CX-00B0M32-700XX**

* M32 with terminal 10~12 AWG - Choose Cable OD: 10mm ~12mm / 12mm ~16mm

** M32 without terminal - Choose Cable OD: 8mm ~10mm / 10mm ~12mm / 12mm ~16mm

▾ Accessories > Unlock Tool

Customized - Upon Request

M32- Size	ULT-JOIN01
-----------	------------

Amphenol LTW Technology Co., Ltd. (Headquarter)

9F., No.657-12, Zhongzheng Rd., Xinzhuang Dist., New Taipei City 242, Taiwan

Telephone: +886-2-29085626 Fax: +886-2-29029787
www.amphenolltw.com

Shulin plant, Taiwan

No.10, Shutan St., Shulin Dist., New Taipei City 238, Taiwan

Kunshan plant, China

No. 62 Da Tung Road, Peng Lang Street, Kunshan City , Jiangsu Province, China

Telephone: +86-512-5761-0501
Fax: : +86-512-5761-0515

For further information, please contact :

Sales & Marketing Department | Email : sales@ltw-tech.com



Scan to visit our website