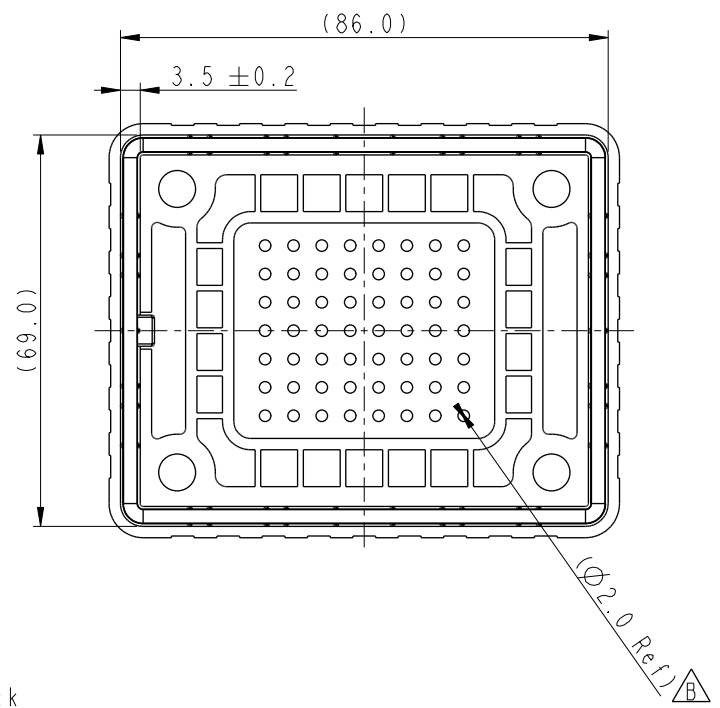
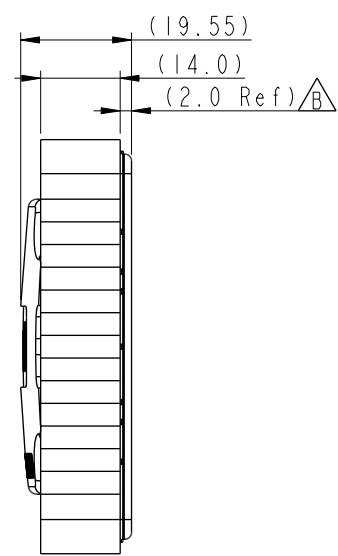
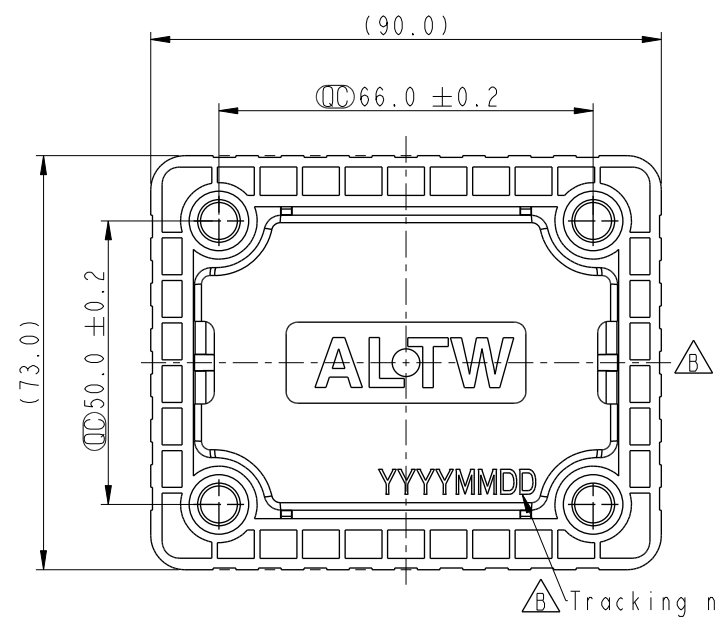
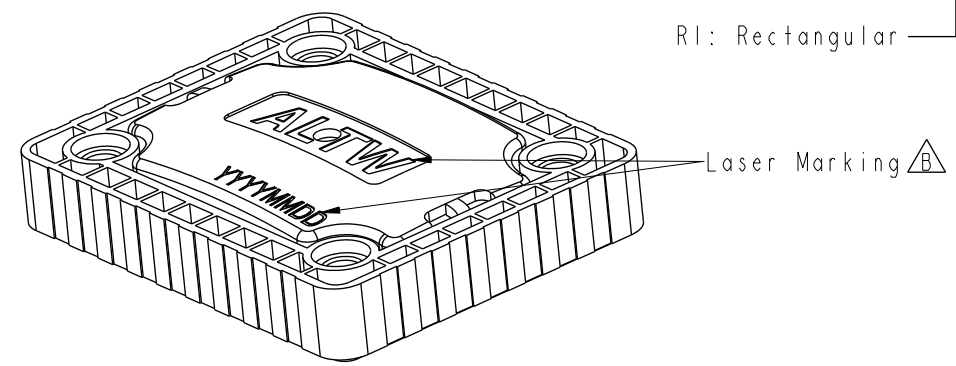


THIS DOCUMENT IS SUBJECT TO CHANGE WITHOUT NOTICE. IT IS CONFIDENTIAL AND A PROPERTY OF Amphenol LTW. DISCLOSURE TO THIRD PARTY HAS TO BE AUTHORIZED BY Amphenol LTW.

REV.	ECN NO.	DATE	SIGN	DESCRIPTION
B	C230541	2023/04/25	Haotian	$\triangle B$ X5
C	C240590	2024/05/28	Vicky	$\triangle C$ X4



VENT-PRINBK-08001
 RI: Rectangular BK: Black



- Note:
- * M Important Dimension.
 - * Waterproof Rate: IP68(2m/1h), IP69K
 - * Body: Thermal Plastic, Black, UL94V-0
 - * Membrane: ePTFE
 - * O-Ring: Silicone, UL94V-0
 - * $\triangle C$ Air Permeability: >10000ml/min at 7 kPa
 - * $\triangle C$ Opening Pressure: 30 \pm 5 kPa
 - * $\triangle C$ Recommended Torque: 20.4~30.6 kgf.cm
 - * Recommended use screw size: M6

UNIT: mm	
TOLERANCE	
.X	± 0.25
.XX	± 0.1
.XXX	± 0.05
ANGLES	$\pm 1^\circ$

TITLE VENT, RECTANGULAR, PC 10000ML/MIN, BK			
SCALE 3:4	SIZE A4	SHEET 1 OF 1	
REV. C	WC-REV. .0	M : Inspection item	

Amphenol LTW
 安費諾亮泰企業股份有限公司

ITEM NO VENT-PRINBK-08001	DRAWN BY Vicky	DATE 2024-05-28
DWG NO VENT-PRINBK-08001	CHECKED BY Rita	DATE 2024-05-28
CUSTOMER ALTW	APPROVED BY Fred	DATE 2024-05-28