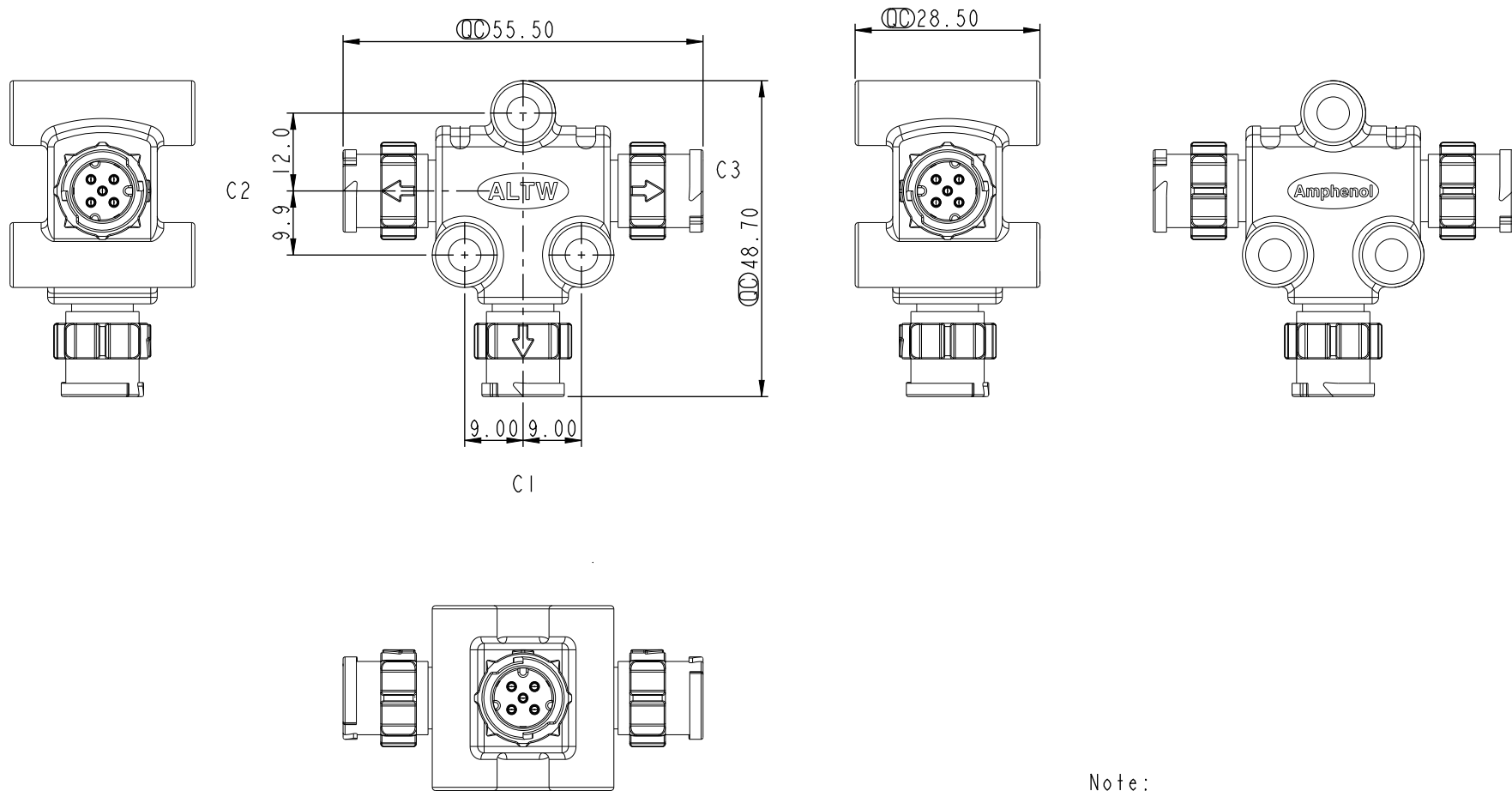


REV.	ECN NO.	DATE	SIGN	DESCRIPTION
A	-	2021/11/01	Eric	Initial Release



Note:  
 \*  $\varnothing$  Important Dimension  
 \* Waterproof: IP68(Mated)  
 \* C1 & C2 & C3  
 Housing: Thermoplastic, Black  
 Male Pin: Copper Alloy, Gold plated

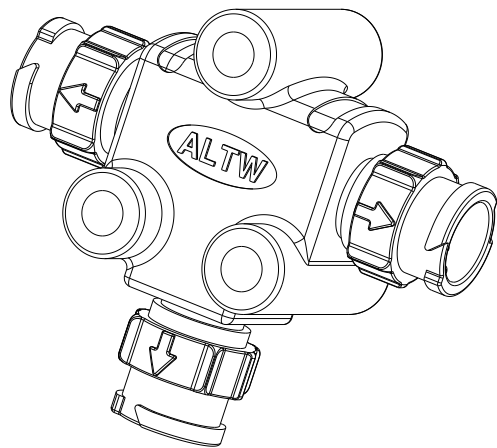
UNIT:mm		
TOLERANCE	$\pm 0.5$	

TITLE X Lok A Size T Adaptor MMM			
SCALE 1:1	SIZE A4	SHEET 1 OF 2	
REV. A	WC-REV. A.5	$\varnothing$ : Inspection item	

**Amphenol LTW**  
 安費諾亮泰企業股份有限公司

ITEM NO AB-AD-XXXXXX-MMM-TQ001	DRAWN BY Eric	DATE 2021/11/01
DWG NO AB-AD-XXXXXX-MMM-TQ001	CHECKED BY Wen	DATE 2021/11/01
CUSTOMER ALTW	APPROVED BY Neo	DATE 2021/11/01

THIS DOCUMENT IS SUBJECT TO CHANGE WITHOUT NOTICE. IT IS CONFIDENTIAL AND A PROPERTY OF Amphenol LTW. DISCLOSURE TO THIRD PARTY HAS TO BE AUTHORIZED BY Amphenol LTW.



AB-AD-XXXXXX-MMM-TQ001

Connector Type:

02: 2Pin

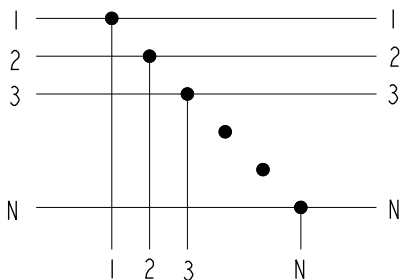
03: 3Pin

.

.

.

N: N Pin



Connection Diagram

	Pin Assignment Front View							
	2PIN		3PIN		4PIN		5PIN	
Male								
Pin Out	Pin1	Color	Pin1	Color	Pin1	Color	Pin1	Color
	Pin3	Black	Pin3	Black	Pin2	Red	Pin2	Red
			Pin4	White	Pin3	Black	Pin3	Black
					Pin4	White	Pin4	White
							Pin5	Blue

UNIT:mm		
TOLERANCE	±0.5	

TITLE X Lok A Size T Adaptor MMM			
SCALE 1:1	SIZE A4	SHEET 2 OF 2	
REV. A	WC-REV. A.1	QC: Inspection item	

**Amphenol LTW**  
安費諾亮泰企業股份有限公司

ITEM NO AB-AD-XXXXXX-MMM-TQ001
DWG NO AB-AD-XXXXXX-MMM-TQ001
CUSTOMER ALTW

DRAWN BY Eric
CHECKED BY Wen
APPROVED BY Neo

DATE 2021/11/01
DATE 2021/11/01
DATE 2021/11/01