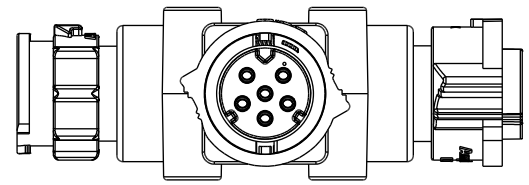
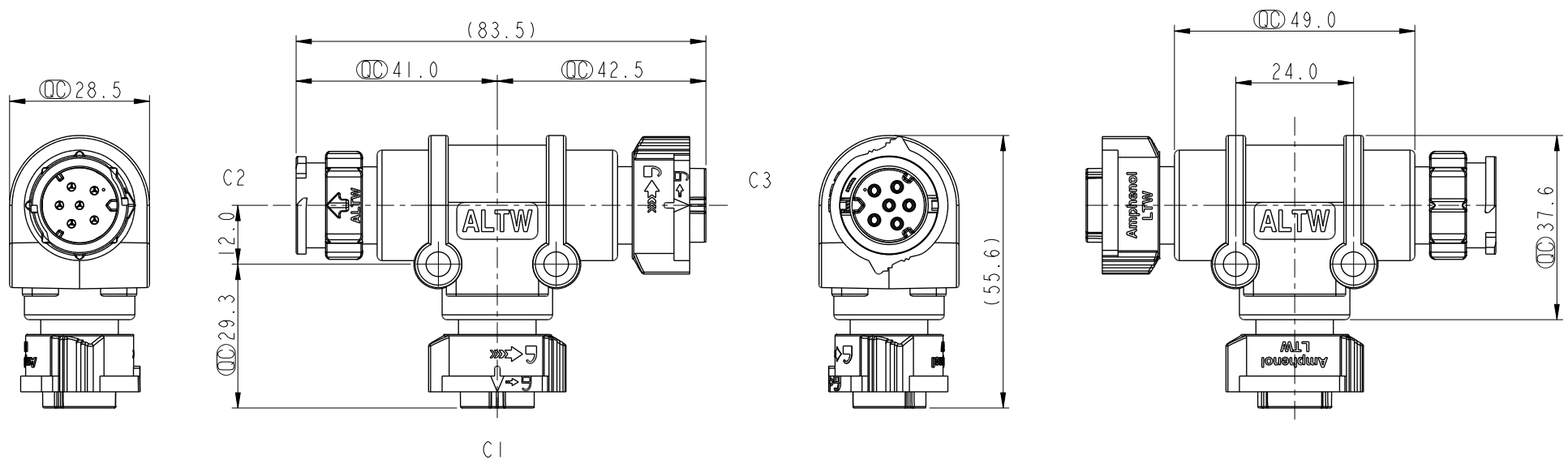


THIS DOCUMENT IS SUBJECT TO CHANGE WITHOUT NOTICE. IT IS CONFIDENTIAL AND A PROPERTY OF Amphenol LTW. DISCLOSURE TO THIRD PARTY HAS TO BE AUTHORIZED BY Amphenol LTW.

REV.	ECN NO.	DATE	SIGN	DESCRIPTION
B	C220487	2022/04/01	Vicky	$\triangle_B$ X4
C	C230084	2023/01/30	Vicky	$\triangle_C$ X2



- $\triangle_B$  Note:
- \* RoHS Compliant
  - \*  $\varnothing$  Important dimension
  - \* C1 & C3
- $\triangle_C$  Waterproof rate: IP68, mated 1m/24h  
 Housing: Thermoplastic, Black  
 Pin: Copper alloy, Gold plated  
 O-Ring: Rubber, Gray  
 Nut: Thermoplastic, Black
- \* C2
- $\triangle_C$  Waterproof rate: IP68, mated 1m/24h  
 Housing: Thermoplastic, Black  
 Pin: Copper alloy, Gold plated  
 \* Wire: UL1007, 16AWG  
 \* Outer Mold: Thermoplastic, Black

UNIT: mm		TITLE ACC, XLOK, C-10A, T ADA W/O CB FMF
TOLERANCE $\pm 0.5$ mm	SCALE 1:1	SIZE A4
	REV. C	WC-REV. .0
		SHEET 1 OF 2
		$\varnothing$ : Inspection item

**Amphenol LTW**  
 安費諾亮泰企業股份有限公司

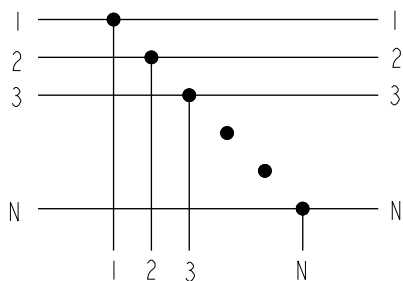
ITEM NO.	DRAWN BY Eric	DATE 2019/09/20
DWG NO. AB-CB-XXXXXX-FMF-TQ001	CHECKED BY Brady	DATE 2019/09/20
CUSTOMER ALTW	APPROVED BY Neo	DATE 2019/09/20

THIS DOCUMENT IS SUBJECT TO CHANGE WITHOUT NOTICE. IT IS CONFIDENTIAL AND A PROPERTY OF Amphenol LTW. DISCLOSURE TO THIRD PARTY HAS TO BE AUTHORIZED BY Amphenol LTW.

AB-CB-XXXXXX-FMF-TQ001



XXXXXX: No. Of Pin



Connection Diagram

	Pin Assignments Front View					
	4PIN		5PIN		6PIN	
MALE						
Female						
Pin Out	Pin#	Color	Pin#	Color	Pin#	Color
	Pin1	Black(黑)	Pin1	Black(黑)	Pin1	Black(黑)
	Pin2	Brown(棕)	Pin2	Brown(棕)	Pin2	Brown(棕)
	Pin4	Orange(橙)	Pin3	Red(紅)	Pin3	Red(紅)
	Pin5	Yellow(黃)	Pin4	Orange(橙)	Pin4	Orange(橙)
				Pin5	Yellow(黃)	Pin5
					Pin6	Green(綠)

UNIT:mm		TITLE	ACC, XLOK, C-10A, T ADA W/O CB FMF	
TOLERANCE	±0.5mm	SCALE	1:1	SIZE A4
		REV.	C	WC-REV. .0
		SHEET	2	OF 2
		QC: Inspection item		

**Amphenol LTW**  
安費諾亮泰企業股份有限公司

ITEM NO	DRAWN BY	DATE
	Eric	2019/09/20
DWG NO	CHECKED BY	DATE
AB-CB-XXXXXX-FMF-TQ001	Brady	2019/09/20
CUSTOMER	APPROVED BY	DATE
ALTW	Neo	2019/09/20