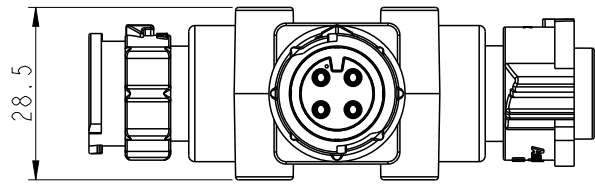
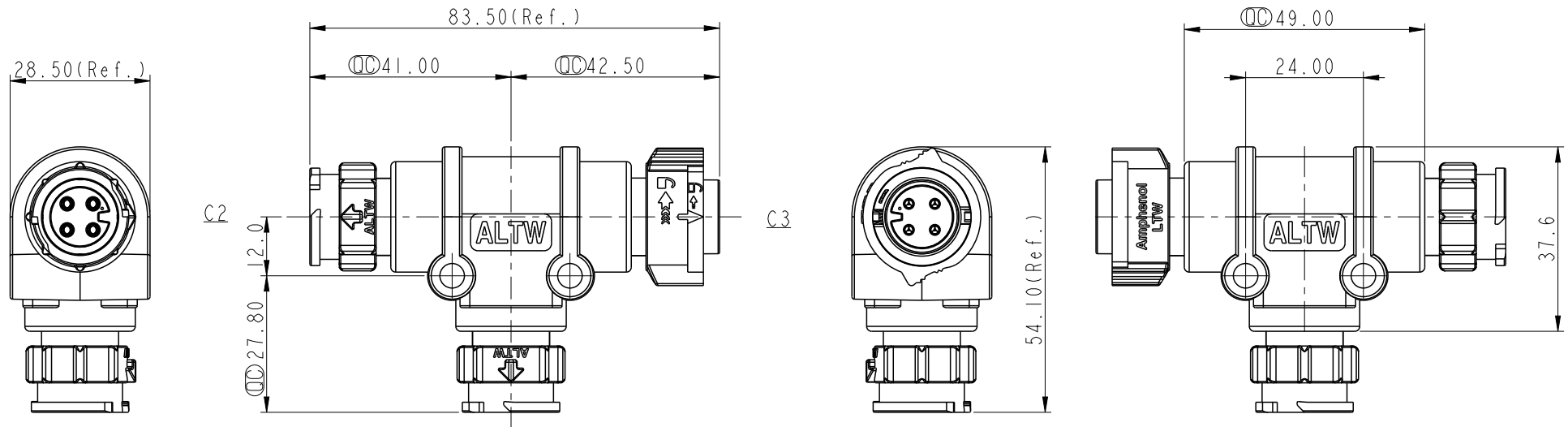


THIS DOCUMENT IS SUBJECT TO CHANGE WITHOUT NOTICE. IT IS CONFIDENTIAL AND A PROPERTY OF AMPHENOL LTW. DISCLOSURE TO THIRD PARTY HAS TO BE AUTHORIZED BY AMPHENOL LTW.

REV.	ECN NO.	DATE	SIGN	DESCRIPTION
A		2020/04/08	Jane	Change Rev.01 to Rev.A
B	C200496	2020/04/17	Jane	$\triangle B$ x1



- Notes:
- * \varnothing Important Dimension
 - * C1 & C2
 - * Waterproof Rate: IP68, Mated
 - * Housing: Thermoplastic, Black
 - * Pin: Copper Alloy, Gold Plated
 - * C3
 - * Waterproof Rate: IP68, Mated
 - * Housing: Thermoplastic, Black
 - * Pin: Copper Alloy, Gold Plated
 - * Nut: Thermoplastic, Black
 - * Wire: UL1007, 16AWG

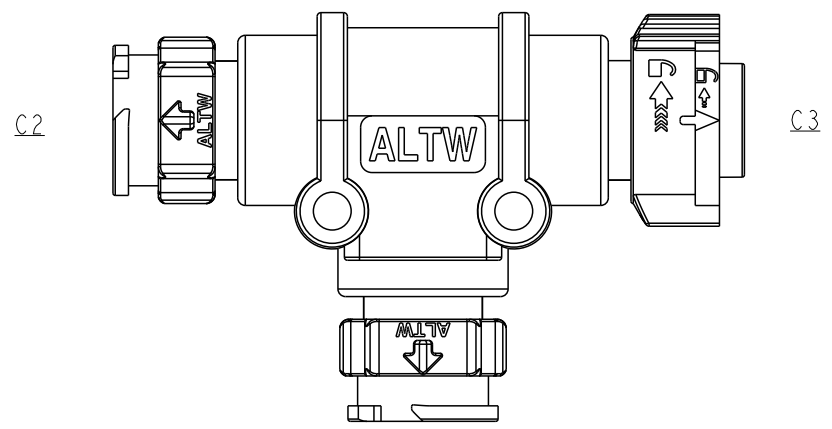
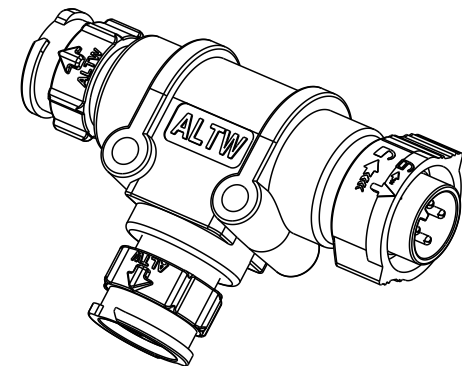
UNIT: mm		
TOLERANCE		
±0.5mm		

TITLE S ACC, XLOK, C-10A, ADA W/O CB T, MMF, 040404, PUSH LOCK			
SCALE 1:1	SIZE A4	SHEET 1 OF 2	
REV. B	WC-REV. .0	\varnothing : Inspection item	

Amphenol LTW
安費諾亮泰企業股份有限公司

ITEM NO.	DRAWN BY Jane	DATE 2020/04/08
DWG NO. AB-CB-XXXXXX-HHB-T0001	CHECKED BY Brady	DATE 2020/04/08
CUSTOMER ALTW	APPROVED BY Neo	DATE 2020/04/08

THIS DOCUMENT IS SUBJECT TO CHANGE WITHOUT NOTICE. IT IS CONFIDENTIAL AND A PROPERTY OF Amphenol LTW. DISCLOSURE TO THIRD PARTY HAS TO BE AUTHORIZED BY Amphenol LTW.

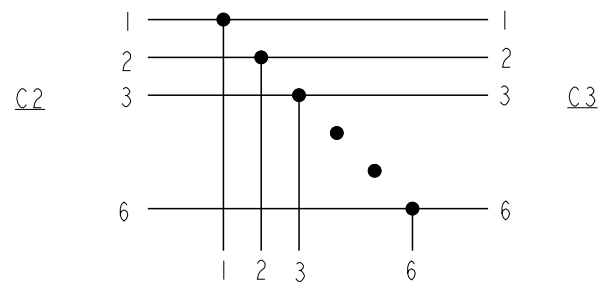


	Pin Assignments Front View			
	4PIN		5PIN	
MALE				
Female				
Pin Out	Pin#	Color	Pin#	Color
	Pin1	Black(黑)	Pin1	Black(黑)
	Pin2	Brown(棕)	Pin2	Brown(棕)
	Pin3	Orange(橙)	Pin3	Red(紅)
	Pin4	Yellow(黃)	Pin4	Orange(橙)
			Pin5	Yellow(黃)

AB-CB-XXXXXX-HHB-TQ001

Connector Type: B

04: 4Pin
05: 5Pin



Connection Diagram

UNIT:mm		TITLE	S ACC, XLOK, C-10A, ADA W/O CB T, MMF, 040404, PUSH LOCK	
TOLERANCE	±0.5mm	SCALE	1:1	SIZE A4
		REV.	B	WC-REV. .0
			SHEET 2 OF 2	
			☉: Inspection item	

Amphenol LTW
安費諾亮泰企業股份有限公司

ITEM NO	AB-CB-XXXXXX-HHB-TQ001	DRAWN BY	Jane	DATE	2020/04/08
DWG NO	AB-CB-XXXXXX-HHB-TQ001	CHECKED BY	Brady	DATE	2020/04/08
CUSTOMER	ALTW	APPROVED BY	Neo	DATE	2020/04/08